

LED Work Light - Model 4415

PRODUCT INFORMATION

Description	12-24V LED Work Light with Spot Pattern
Height	110.00 mm / 4.33 in
Width	85.20 mm / 3.35 in
Depth	21.10 mm / 0.83 in
Shape	Round
Outer Lens Material	Polycarbonate
Outer Lens Color	Clear
Housing Material	Die-Cast Aluminum
Housing Color	Black
Mounting Hardware Description	(x1) Bracket and Swivel
Mounting Type	Pedestal
Minimum Operating Temperature	-40 °C / -40 °F
Maximum Operating Temperature	85 °C / 185 °F
Connector or Wiring	Packard #12084167
Mating Connector	Packard #12059183
Product Weight	1.40 lbs / 0.64 kgs
Shipping Weight	1.40 lbs / 0.64 kgs



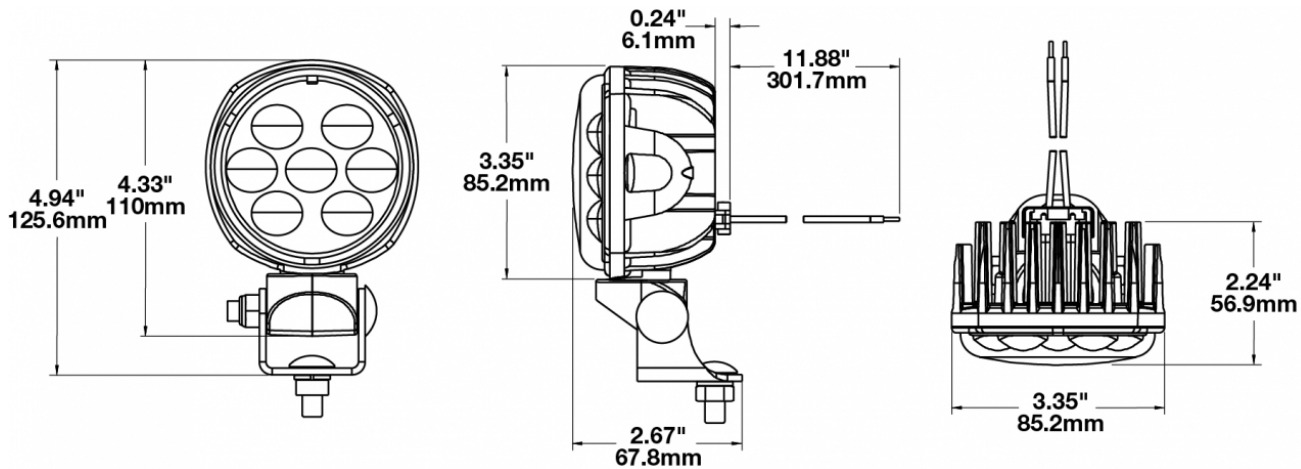
Print date: 2024-08-11

© 2024 J.W. Speaker Corporation • Germantown, WI U.S.A.
www.jwspeaker.com • speaker@jwspeaker.com • 262.251.6660

J.W. SPEAKER 
Engineered. Lighting. Solutions.

LED Work Light - Model 4415

PRODUCT DIMENSIONS



ELECTRICAL SPECIFICATIONS

Input Voltage	12-24V DC
Operating Voltage	10-32V DC
Red Wire	Positive
Black Wire	Negative
Current Draw	2.20A @ 12V DC 1.10A @ 24V DC

REGULATORY STANDARDS COMPLIANCE



Buy America Standards
IEC IP67

Eco Friendly
IEC IP69K

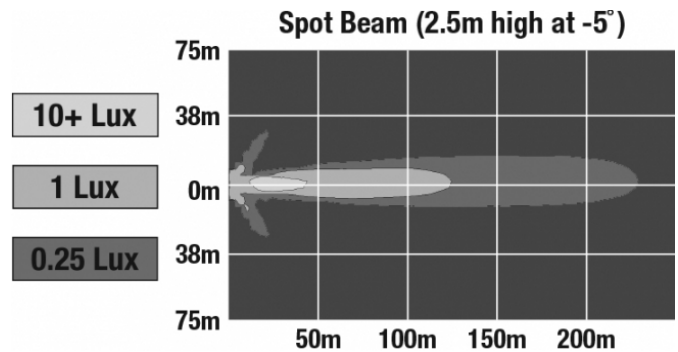
Print date: 2024-08-11

© 2024 J.W. Speaker Corporation • Germantown, WI U.S.A.
www.jwspeaker.com • speaker@jwspeaker.com • 262.251.6660

LED Work Light - Model 4415

PHOTOMETRIC SPECIFICATIONS

Raw Lumen Output	2,450
Effective Lumen Output	1,350
Nominal LED Color Temperature	5000 K
Beam Pattern(s)	Forward Lighting - Spot



APPLICATIONS



PRODUCT WARNINGS

For California residents:

⚠ **WARNING:** Cancer and reproductive harm - www.P65Warnings.ca.gov.

⚠ **AVERTISSEMENT:** Cancer et effet nocif sur la reproduction - www.P65Warnings.ca.gov.

Print date: 2024-08-11

© 2024 J.W. Speaker Corporation • Germantown, WI U.S.A.
www.jwspeaker.com • speaker@jwspeaker.com • 262.251.6660

J.W. SPEAKER
 Engineered. Lighting. Solutions.

LED Work Light - Model 4415

ACCESSORIES



Part Number
6600841
7" Split Screen Monitor



Part Number
8200491
Mounting Kit For Work
Lights



Part Number
3271561
4 PIN M12 CABLE, 10
m



Part Number
3271571
M12-RCA CONVERSION
CABLE



Part Number
6149203
A-Pillar Mounting Kit
for Jeep JK



Part Number
6149233
A-Pillar Mounting Kit
for Jeep TJ

LED Work Light - Model 4415

RELATED PRODUCTS



Part Number
0549841

12-24V LED Work Light
with Trapezoid Pattern



Part Number
0551753

12-24V LED Work Light
with Spot Pattern &
Side View Mirror
Mount - 2 Light Kit



Part Number
0554201

12-110V LED Work
Light with Trapezoid
Pattern



Part Number
0555411

12-24V LED Work Light
with Flood Pattern &
Harness



Part Number
0559913

12-24V LED Work Light
with Spot Pattern &
Side View Mirror
Mount with Camera - 2
Light Kit



Part Number
0560341

12-24V LED Work Light
with Flood Pattern &
Panel Mount